

## Plug In SpeedLight with adjustable tube, ribbed, removable teflon plate

ITEM # \_\_\_\_\_

MODEL # \_\_\_\_\_

NAME # \_\_\_\_\_

SIS # \_\_\_\_\_

AIA # \_\_\_\_\_


**603946 (HSG2RPRSE3)**

SpeedLight with manual adjustable top plate, removable ribbed teflon plate

### Main Features

- It combines 3 cooking technologies: contact, infrared radiation and microwaves to provide perfectly cooked food, heated to the core.
- Manually adjustable upper plate to heat food up to a minimum height.
- The Energy Saving Mode automatically switches to stand-by after an amount of time settled by the operator (from 1 to 60 minutes).
- Delivered with USB port and wi-fi connection to optimize workflows allowing local and remote interaction (temperatures, countdowns, warnings).
- Electronic control with digital 4.3" LED display with adjustable brightness.
- 8 programs selectable on the display. The 8 programs can be adjusted by the user. The programmable parameters are:
  - top plate temperature
  - bottom plate temperature
  - total duration of e
- Countdown display and buzzer with adjustable volume at the end of the cycle.
- Automatic mechanical lid holding and opening system controlled.
- Ergonomic handle for easy movement of the lid.
- Non-stick pressed tray to be used during all cooking cycles for maximum cleanability, meeting food contact requirements.
- Compliant with Regulation (EC) No 1935/2004 and its amendments, Regulation (EC) No 2023/2006 and its amendments.

### Construction

- Aluminum ribbed top contact plate (215 x 215 mm) treated with a special non-stick coating.
- 2 temperature probes for an independent control of the top and bottom plate temperature.
- Smooth 4 mm thick quartz glass bottom cooking surface (250 x 250 mm).
- Independent temperature setting of the top and bottom plates from 50 to 250 °C.
- Automatic lifting of the lid at the end of the cooking cycle via mechanical spring.
- Lid covers, handle and side panels in high-grade reinforced composite material.
- 800W heating element on the top plate.
- 800W electrical armored heating element on the bottom plate.
- 2 x 1050W magnetrons for microwave.
- Front air inlet and back outlet for efficient cooling ventilation allows easy air filters removal and side by side installation.
- IPx4 water protection.

### User Interface & Data Management

- Connectivity ready for real time access to connected appliances from remote and data monitoring (requires optional accessory - contact the Company for more details).

APPROVAL: \_\_\_\_\_

### Included Accessories

- 1 of Glass saver for SpeeDelight PNC 653527
- 1 of Cleaning brush for SpeeDelight PNC 653623
- 1 of Spatula for SpeeDelight PNC 653625
- 1 of 4 rubber feet - Height = 26 mm for SpeeDelight PNC 653792
- 1 of SpeeDelight spacer stop kit for rear ventilation PNC 653800
- 1 of Pressed non-stick tray PNC 653802
- 1 of Brush with nylon bristles PNC 653803
- 1 of Brush with brass bristles PNC 653804

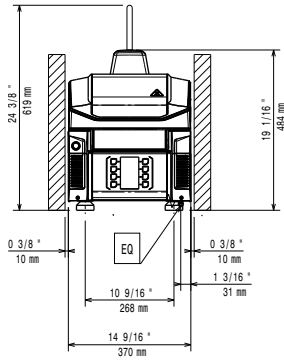
### Optional Accessories

- Glass saver for SpeeDelight PNC 653527
- Cleaning brush for SpeeDelight PNC 653623
- Spatula for SpeeDelight PNC 653625
- Removable ribbed teflon plate for SpeeDelight PNC 653787
- 4 stainless steel feet - Height = 76 mm for SpeeDelight PNC 653791
- 4 rubber feet - Height = 40 mm for SpeeDelight PNC 653793
- SpeeDelight spacer stop kit for rear ventilation PNC 653800
- Pressed non-stick tray PNC 653802
- Brush with nylon bristles PNC 653803
- Brush with brass bristles PNC 653804

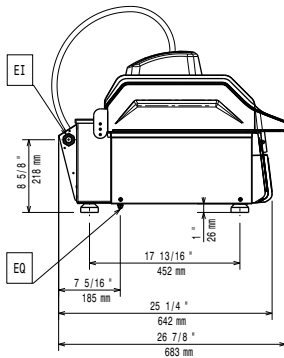
### Recommended Detergents

- \*NOT TRANSLATED\* PNC 0S2292
- S02 DEGREASER 6pzx750ml - ADR&IMDG Limited Quantity PNC 0S2882

Front

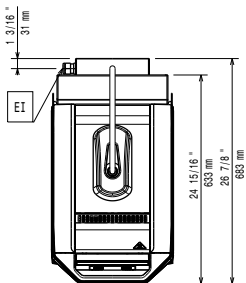


Side

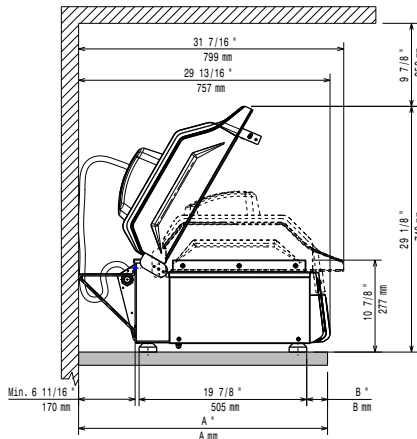


EI = Electrical inlet (power)  
 EO = Electrical Outlet

Top



Distances



## Electric

Supply voltage:	380-400 V/3N ph/50 Hz
Rated amps:	9 A
Total Watts:	5 kW
Plug type:	IEC 60309 3P+N+T

## Installation:

Clearance: 190mm from rear vertical panel

## Key Information:

Cooking surface (WxD)	250 x 250 mm
External dimensions, Width:	370 mm
External dimensions, Depth:	683 mm
External dimensions, Height:	619 mm
Net weight:	46 kg
Shipping weight:	58 kg
Shipping height:	710 mm
Shipping width:	450 mm
Shipping depth:	760 mm
Shipping volume:	0.24 m <sup>3</sup>